

Modular redundant mini optical receiver with monitoring and remote supply control module



MOB-729



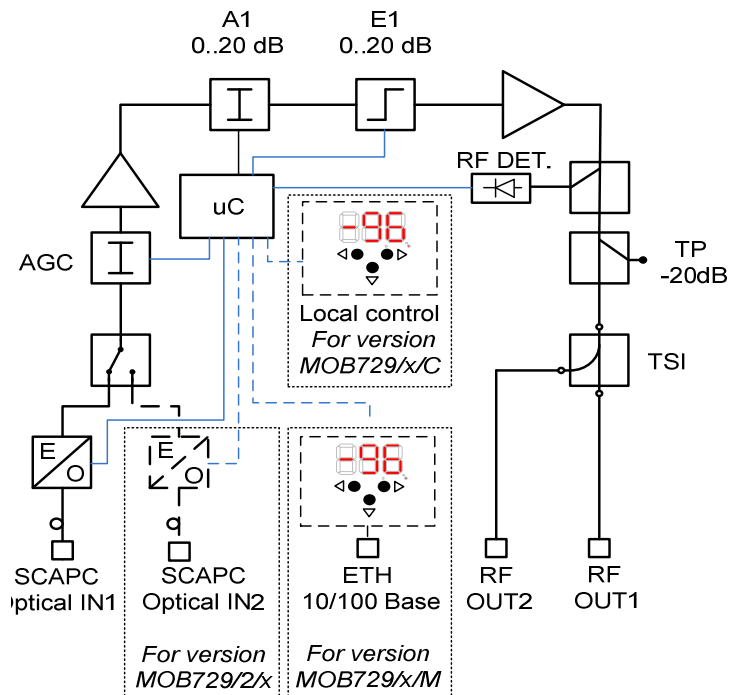
MOB-729 is a modern modular receiver dedicated to the FTTH networks, featuring one or two redundant optical inputs. The receiver has an electronic uninterruptible adjustment. A built-in AGC system maintains the RF signal at a high stable output level.

Depending on the version, the **MOB-729** is controlled from a local keyboard (a hot-swap module). The monitoring module allows remote control via an RJ45 interface using the SNMPv2C standard and a built-in website. Depending on the used plugin, the receiver can support one or two "F"-type RF outputs. The built-in monitoring module also allows remote changing of output levels, setting the alarm thresholds and switching the redundant inputs, as well as monitoring the output level thanks to the integrated RF detector.

The device is available in a single-input version **MOB-729/1/x** and double-input version **MOB-729/2/x**, with the monitoring module **MOB-729/x/M** and the local manipulator **MOB-729/x/C**.

MOB-729 block diagram

- Dedicated to the FTTH architecture
- Uninterruptible electronic adjustment
- Modular design
- Redundancy for double-input version
- monitoring via SNMPv2c and WWW interface
- Independent switching hysteresis control for each optical input, with alarm threshold setting
- Measurement of the RF output signal
- GaAs Power Doubler technology
- Local power supply (180-253V AC)



Technical parameters may change without a previous notice.

www.telmor.pl

TECHNICAL SPECIFICATION

OPTICAL PARAMETERS			OTHERS		
Input level range (P _{IN})	dBm	-10...+1	Local power supply	V/Hz	180...253/ 50-60
AGC range	dBm	-6...0	Power consumption	W	13,5
Optical return-loss	dB	≥ 40	Output connector	/	2*F
Optical input wavelength	nm	1100...1650	Protection class	IP	24
Maximum input level	dBm	+3	Operation temperature range	°C	-20..55
Optical power indicator	/	electronic 3xLED accuracy +/- 0.1 dBm	Weight	kg	1,1
Equivalent input noise current	pA/(Hz) ^{1/2}	6.5	Dimensions	mm	107x155x75
Optical connector	/	SC/APC	MONITORED PARAMETERS ⁽¹⁾ (Read/Write)		
FORWARD CHANNEL			Input level (Pin)	R/-	
Frequency range	MHz	47...862	Hysteresis of optical input switching (Pin _{min} /Pin _{max})	R/W	
Gain characteristic flatness	dB	±0,75	Input selection (A/ B/ preferred A/ preferred B)	R/W	
Output level (CENELEC 42) 1310nm@ -3dBm EQ =9 dB, 3,5% OMI, AGC OFF, CTB ≤ 60dBc CSO ≤ 60dBc	dBuV	115	Output level RF (Pout)	R/-	
Interstage attenuator	dB	0..15 step 1	RF output power alarm (RF _{min} / RF _{max})	R/W	
Interstage equalizer	dB	0..15 step 1	Temperature (T)	R/W	
Test point	dB	-20 ±1	Temperature alarm (T Min/ T Max)	R/W	
Return loss at RF output	dB	≥ 18 (40MHz) -1,5dB / oct.	Attenuator adjustment (A)	R/W	
			Equalizer adjustment (Eq)	R/W	
			Location (GPS coordinates)	R/W	
			AGC settings	R/W	
			Identification (type, model, SN, MAC)	R/-	
			ETH connection (IP, DHCP)	R/W	
			Power supply	R/-	
			Tamper	R/-	

⁽¹⁾ For more information on control and monitoring see datasheet *MOB-729 MODULES*

Device configuration:

MOB	729	x	x
-----	-----	---	---

Control **(M)** - M-729 monitoring board, **(C)** - C-729 Led module with keyboard

Number of optical inputs : **(1)**- one, **(2)** - two

RF Plugins:



TSI – tap – supports two RF outputs

TSI 2/6 - OUT1 - 2dB, OUT2 - 6dB

TSI 1/9 - OUT1 - 1dB, OUT2 - 9dB

TSI 1/12 - OUT1 - 1dB, OUT2 - 12dB

TSI 1/14 - OUT1 - 1dB, OUT2 - 14dB

Technical parameters may change without a previous notice.

www.telmor.pl

GZT TELKOM-TELMOR SP. Z O.O, ul. Mickiewicza 5/7, 80-425 Gdańsk, Poland
tel. +48 58 690-93-98, fax. +48 58 690-93-88, e-mail: export@telmor.pl